

Gas Discharge Tube (GDT) Data Sheet

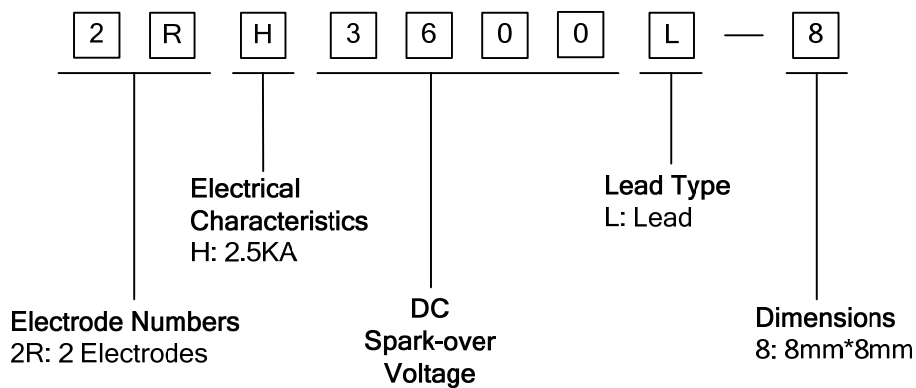
Features

- Provide ultra-fast response to surge voltage from slow-rising surge of 100V/s to rapid-rising surge of 1KV/ μ s.
- Stable breakdown voltage.
- High insulation resistance.
- Low capacitance (≤ 1.5 pF)
- High holdover voltage
- Large absorbing transient current capability.
- Micro-Gap Design
- Size: 8*8mm
- Storage and operating temperature: -40°C ~ +85°C
- Meets MSL level 1, per J-STD-020
- Safety certification: UL: E327997

Applications

- Repeaters, Modems.
- Telephone Interface, Line cards.
- Data communication equipment.
- Line test equipment

Model Number Code



Marking

- B** : BrightKing Logo
- 2RH3600-8 : Device Marking Code
- YXXX : Date Code

Dimensions

	Dimension (mm)	
	Symbol	Spec. / Tolerance
	D	8.0 / +0.3, -0.5
	T	8.0 / +0.6, -0.1
	d	0.8 / ±0.1
L	30.0 / Max.	

Electrical Characteristics

Part Number	DC Spark-over Voltage	Maximum Impulse Spark-over Voltage	Nominal Impulse Discharge Current	Alternating Discharge Current	Impulse Life	Minimum Insulation Resistance		Maximum Capacitance	AC Withstanding Voltage	Device Marking Code
	100V/s	1000V/μs	8/20μs 10times	50Hz, 1sec	10/1000μs 100A	Test Voltage	(GΩ)	1MHz		
	(V)	(V)	(KA)	(A)	(times)	DC(V)		(pF)		
2RH3600L-8	3600±20%	5200	2.5	2.5	100	1000	1.0	1.5	AC1800V, 1min	2RH3600-8

Electrical Ratings

Items	Test Condition/Description	Requirement
DC Spark-over Voltage	The voltage is measured with voltage ramp $dv/dt=100V/s$.	To meet the specified value
Maximum Impulse Spark-over Voltage	The maximum impulse spark-over voltage is measured with voltage ramp $dv/dt=1000V/\mu s$.	
Impulse Discharge Current	Maximum 8/20μs surge current that can be applied between two electrodes, 5 positive and 5 negative surges, with 3 minutes interval time, without causing the DC spark-over voltage to change more than 25% from its initial value. Crest value 100 90 50 10 0 Current (%) 20μs 8μs Time Impulse Width	
Alternating Discharge Current	Rated RMS value of AC current at 50Hz, 1 sec. for 10 times with interval time 3 min. DC spark-over voltage shall not change more than ±25% from its initial value. $IR > 10^8$ ohms	
Insulation Resistance	The resistance of gas tube shall be measured between two electrodes.	

Capacitance	The capacitance of gas tube shall be measured between two electrodes. Test frequency: 1MHz	
-------------	--	--

Recommended Soldering Conditions

Wave Soldering

Item	Conditions
Peak Temperature	265°C
Dipping Time	10 seconds
Soldering	1 time

Packaging

Axial Packing (Bulk)

Skin packing 	Symbol	Dimension (mm)	
		Spec.	Tolerance
	A	264.0	±1.0
	B	145.0	±1.0
	H	6.5	±0.5
Quantity: 100pcs			
Inner box 	A0	270.0	±2.0
	B0	150.0	±1.0
	H0	50.0	±1.0
	Quantity: 500pcs		